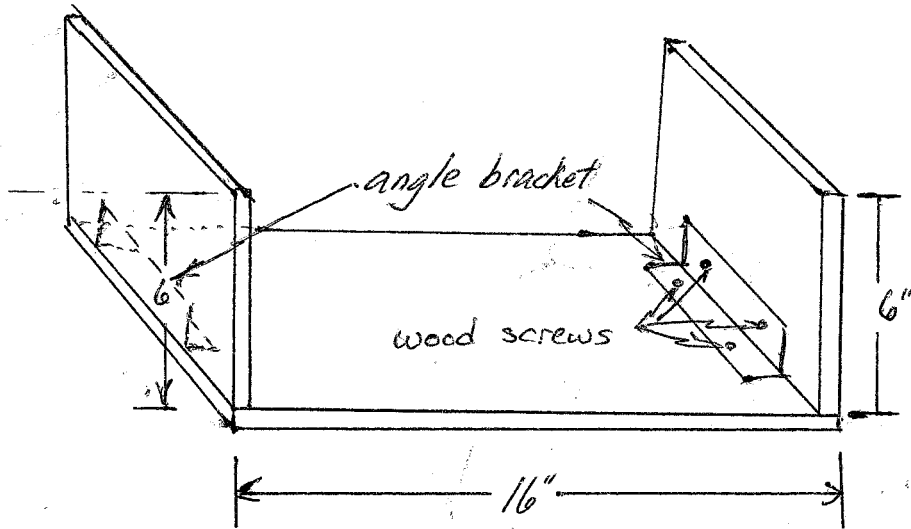


DYSLEXIA EXPERIENCE

FRAME
(upside down)

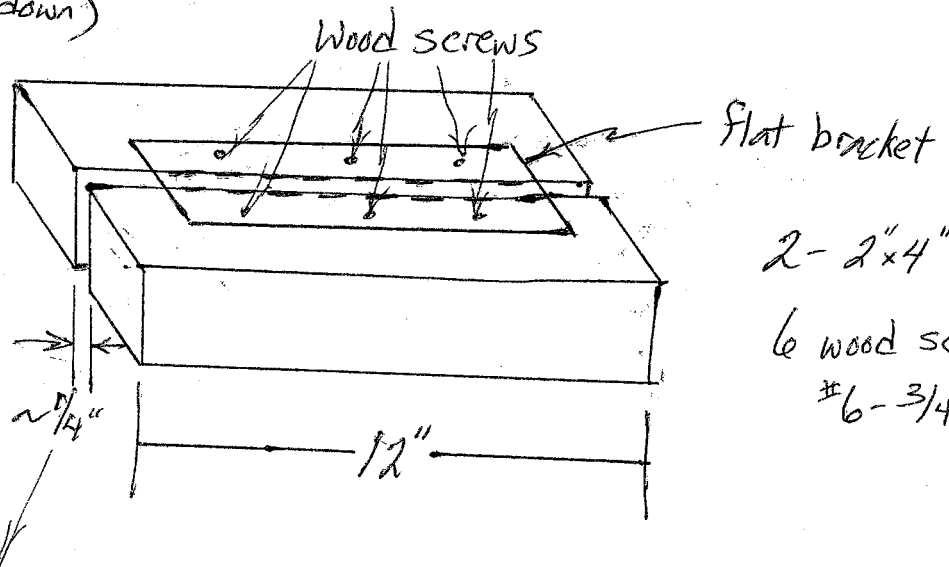


2- 1" x 8" (6" each)
1- 1" x 8" (16")

8 wood screws
#6-3/4"

MIRROR: 5" x 8" (in picture frame mount)

MIRROR HOLDER
(upside down)



2- 2" x 4" (12" each)

6 wood screws
#6-3/4"

wide enough
to hold mirror